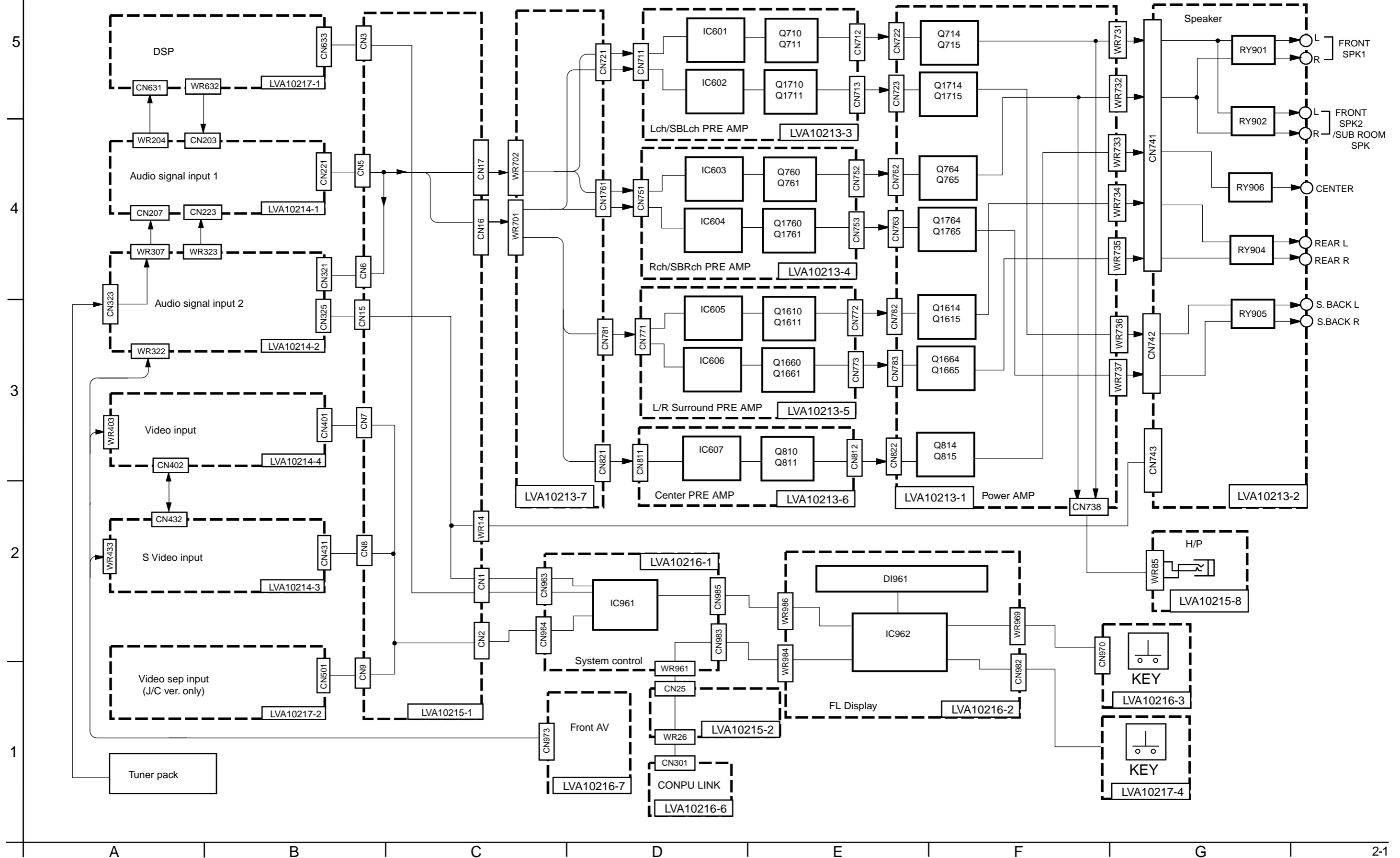
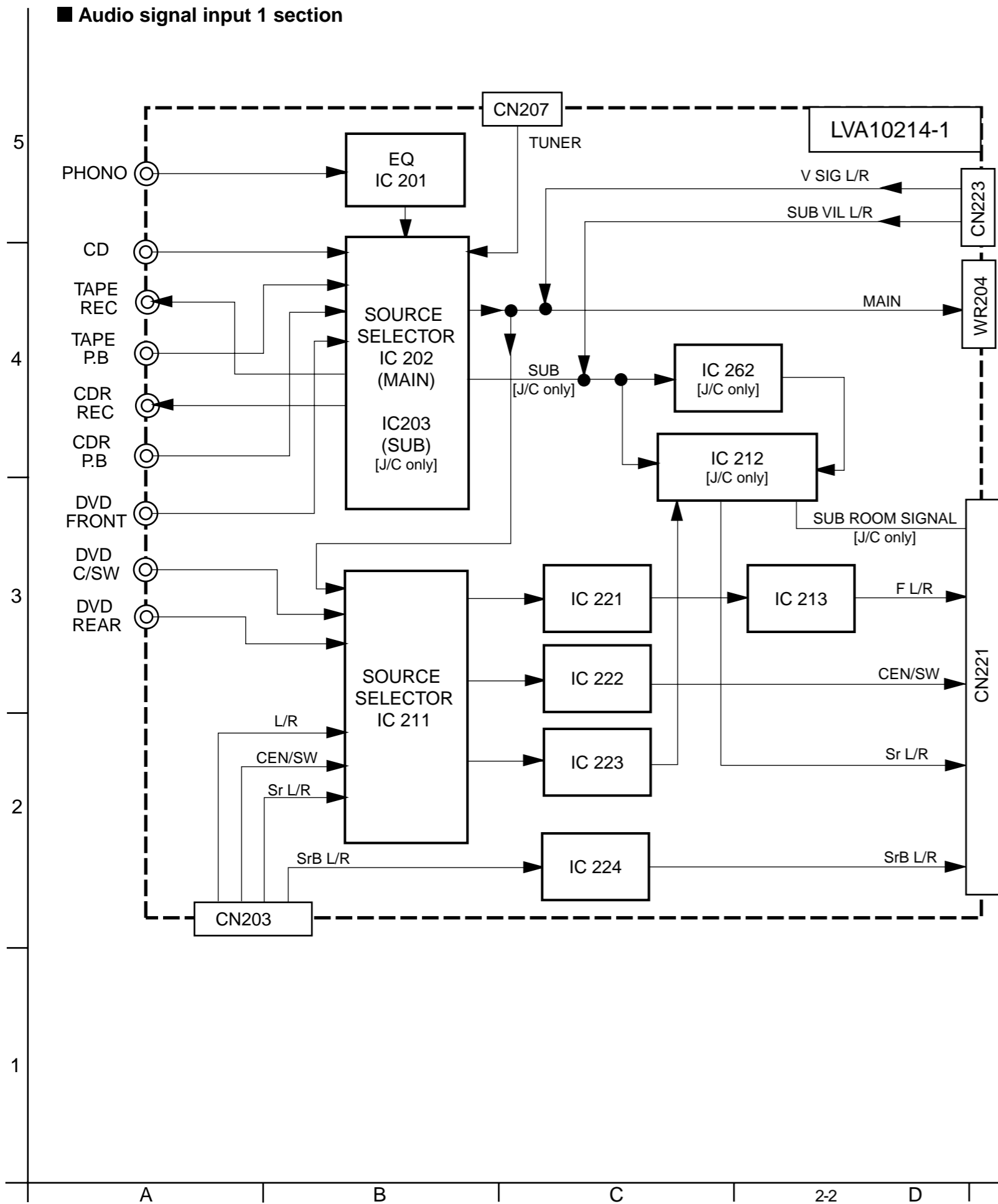


Block diagrams

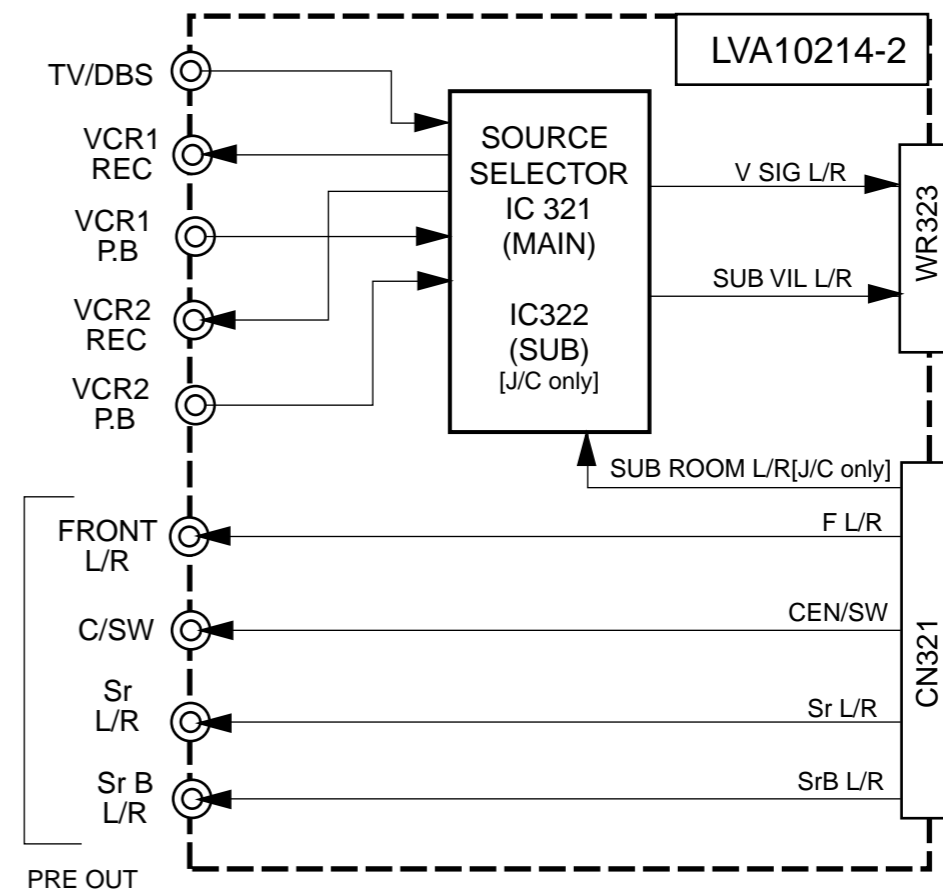
■ Signal I/O & Main block section



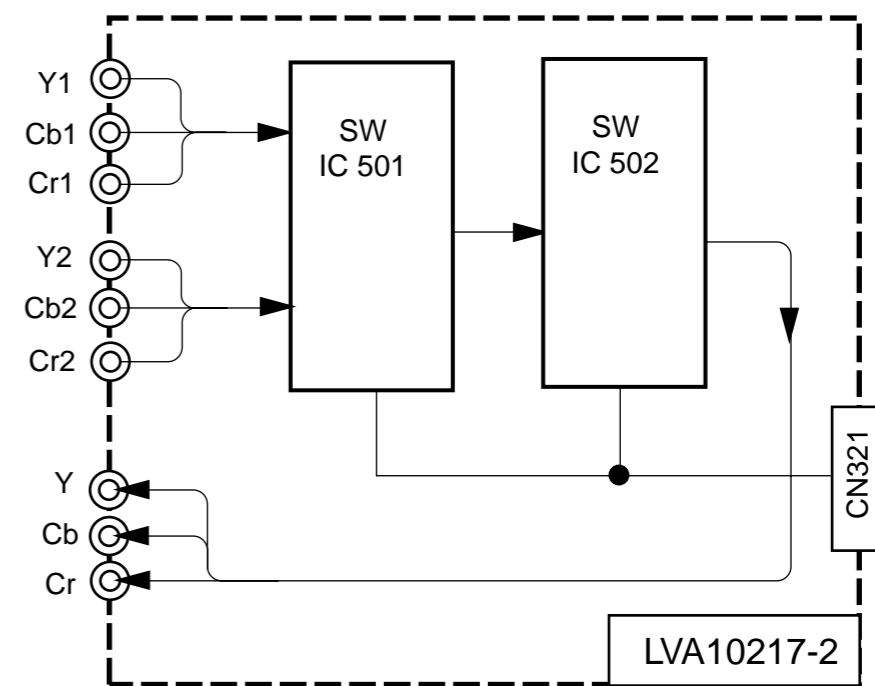
■ Audio signal input 1 section



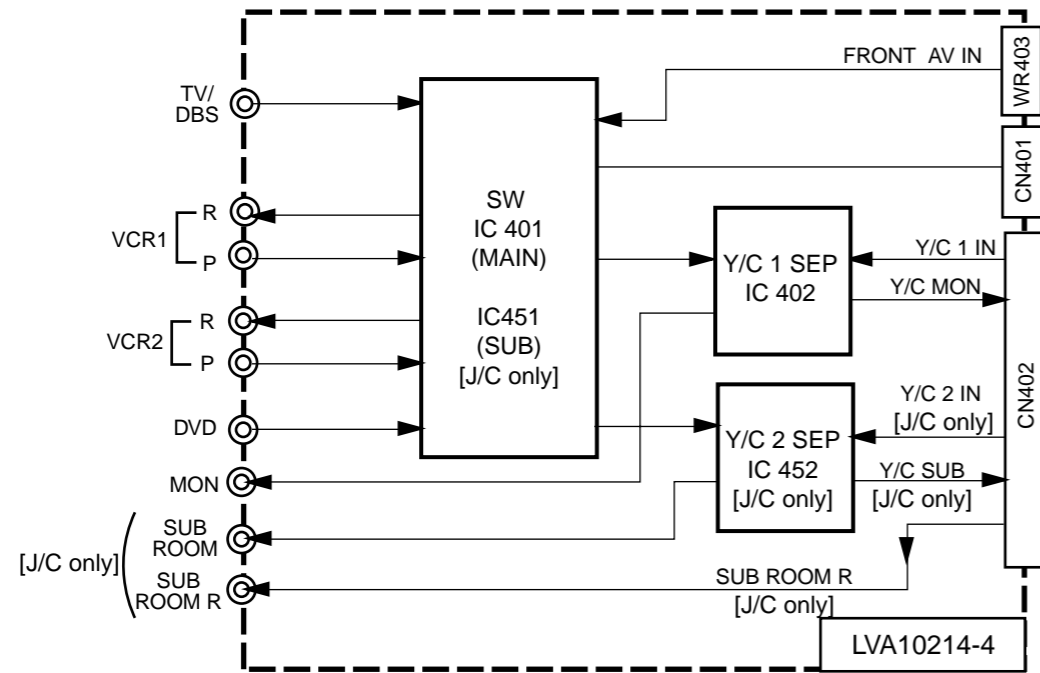
■ Audio signal input 2 section



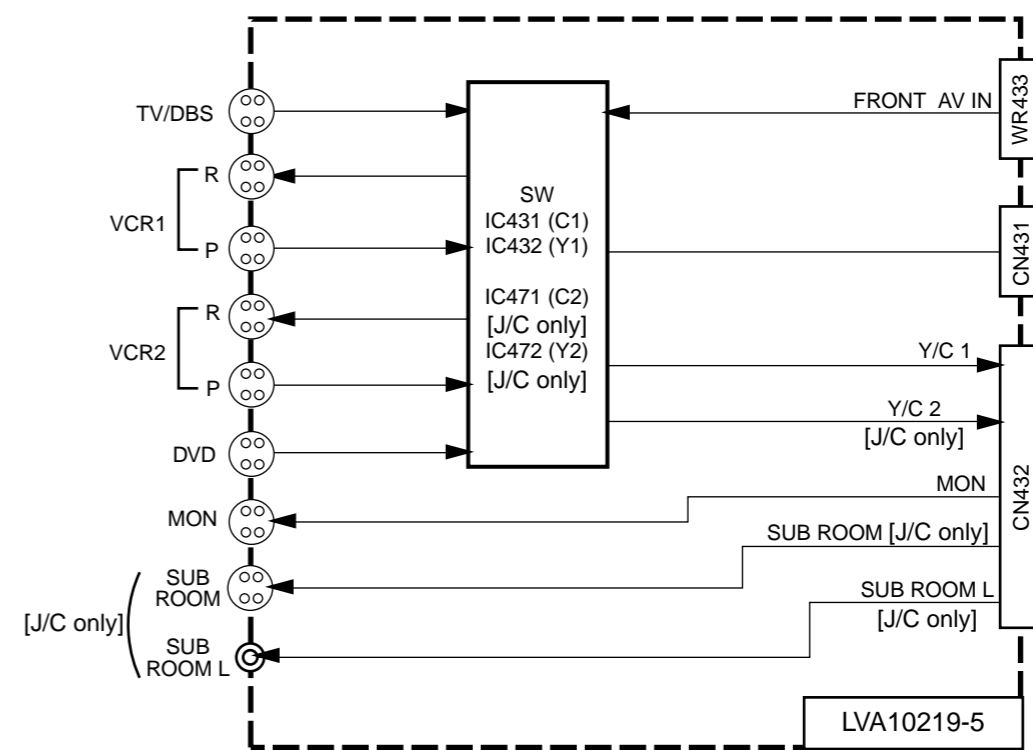
■ Video SEP input section (J/C ver. only)



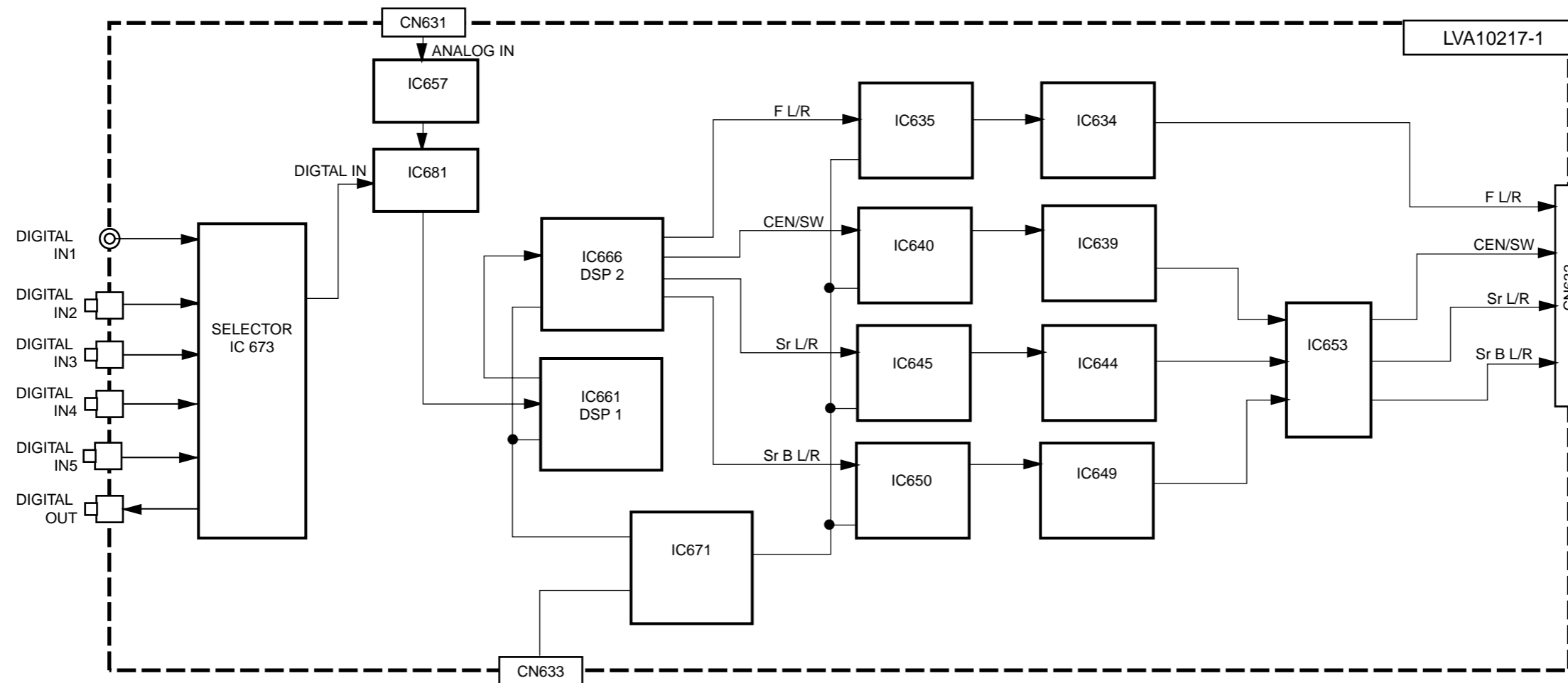
■ Video input section



■ S Video input section



■ DSP section



5

4

3

2

1

A

B

C

D

E

F

G

Standard schematic diagrams

Power supply section

5

Sheet 9/10

Sheet 4/10

4

Sheet 4/10

3

Sheet 5/10

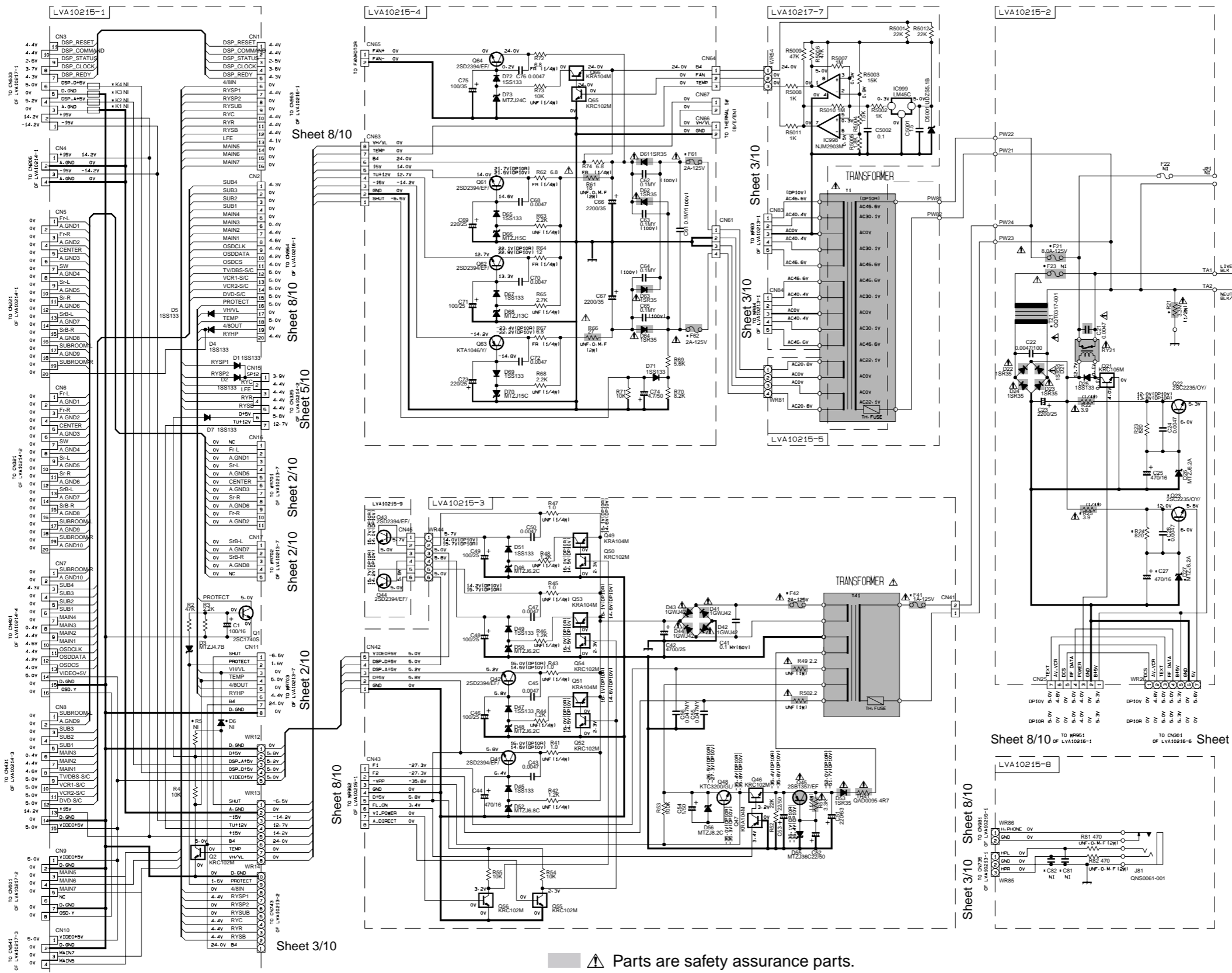
2

Sheet 6/10

Sheet 6/10

Sheet 7/10

1



MAINS PLUG
AC120V/60Hz (J/C)
AC230V/50Hz (B/E/EN)

J	U.S.A.
C	CANADA
B	U.K.
E	CONTINENTAL EUROPE
EN	ENETIC COUNTRIES

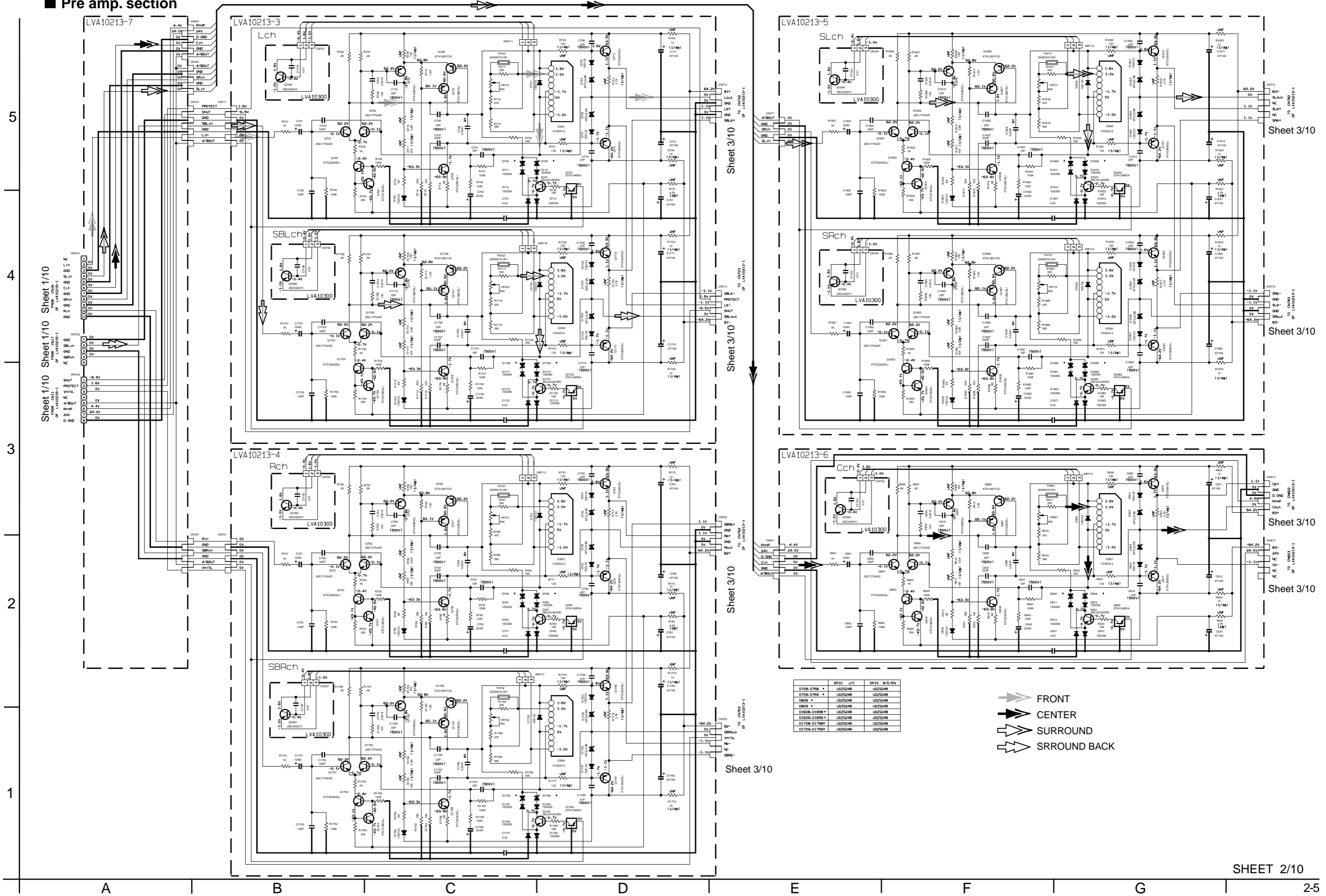
SHEET NUMBER	CIRCUIT DESCRIPTION
1/10	Power supply
2/10	Pre amp.
3/10	Power amp.
4/10	Audio signal input 1
5/10	Audio signal input 2
6/10	Video signal input 1
7/10	Video signal input 2
8/10	FL display & system control
9/10	
10/10	DSP

MARK	DP10 J/C	DP10 B/E/EN
F21	8A-125V	4A-250V
F23	SMDT	100A-250V
T21	00T0317-001	00T0281-003
R21	3.3k	NONE
R24	3.9	NONE
R24	B20	NONE
C26	0.0047	NONE
C27	470/16	NONE
Q23	2SC2235/01V	NONE
Q27	MTZJ6.2A	NONE
F41	1A-125V	5000A-250V
F42	2A-125V	2A-250V
F43	2A-125V	2A-250V
F44	2A-125V	2A-250V
C81-C82	NONE	3300
D5	NONE	1SS133
R5	NONE	10k
K1-K3	NONE	09P0779-001Z
K2-K4	SHORT	09P0779-001Z

Parts are safety assurance parts. When replacing those parts make sure to use the specified.

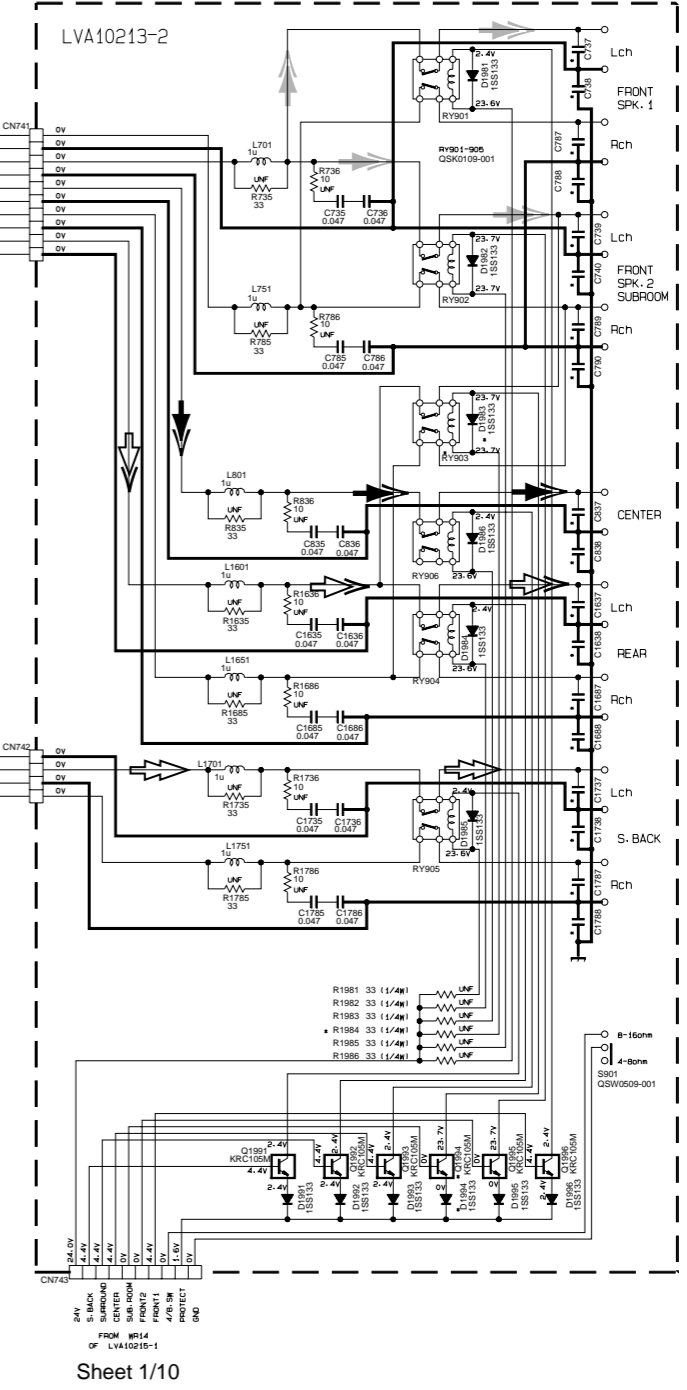
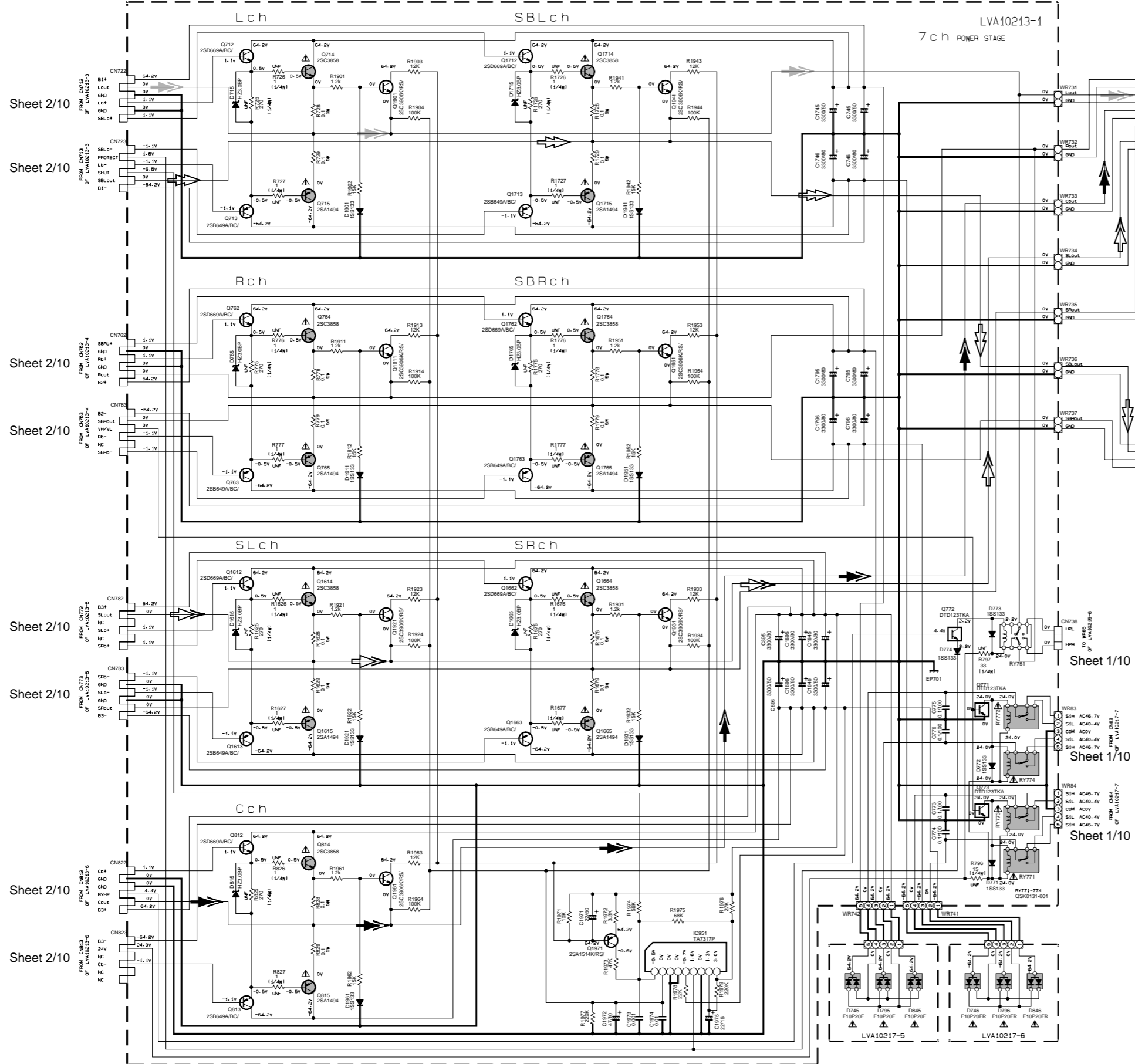
NOTES
1. VOLTAGES ARE DC-MEASURED WITH A DIGITAL VOLT METER WITHOUT INPUT SIGNAL.
CONDITION --- COLD START. POWER ON: OV ANALOG SURROUND ON-VL MINIMUM

■ Pre amp. section



Power amp. section

5
4
3
2
1

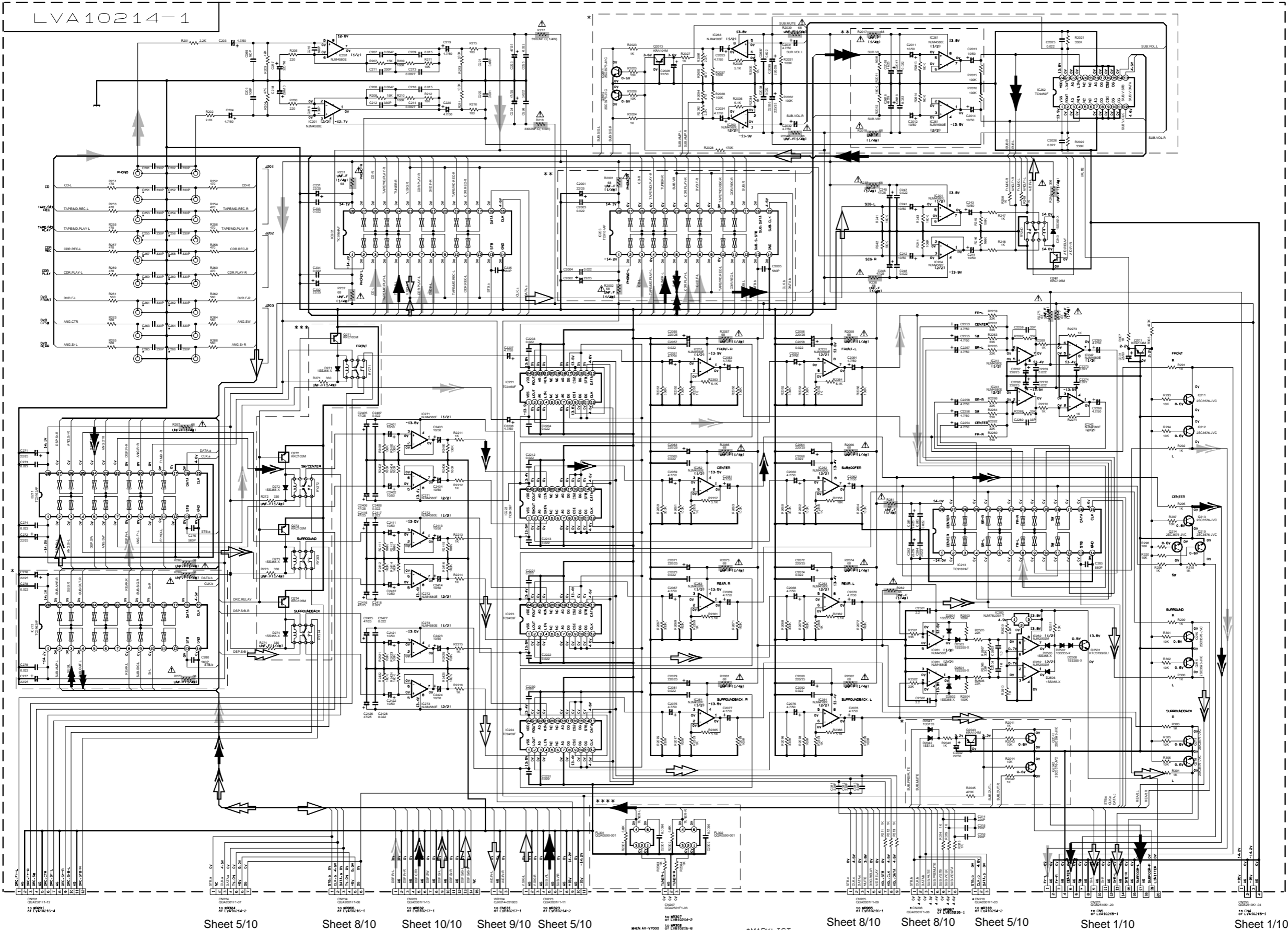


* C737	C787	C837	DP10	μ/C	DP10	B/E/EN
C737	C787	C837	-	-	3300p	
C738	C788	C838	-	-	0.01	
C739	C789	-	-	-	3300p	
C740	C790	-	-	-	0.01	
C1637	C1667	-	-	-	3300p	
C1638	C1668	-	-	-	0.01	
C1737	C1787	-	-	-	3300p	
C1738	C1788	-	-	-	0.01	
D1983	-	-	-	-	USE	
D1994	-	-	-	-	USE	
D1994	-	-	-	-	USE	
RV903	-	-	-	-	USE	

- ➔ FRONT
- ➔ CENTER
- ➔ SURROUND
- ➔ SRROUND BACK
- ⚠ Parts are safety assurance parts. When replacing those parts make sure to use the specified.

A B C 2-6 D E F G H

Audio signal input 1 section



- ▶ AUDIO
- ▶ TUNER
- ▶ PHONO
- ▶ MAIN
- ▶ SUB
- ▶ FRONT
- ▶ CENTER
- ▶ SURROUND
- ▶ SRROUND BACK

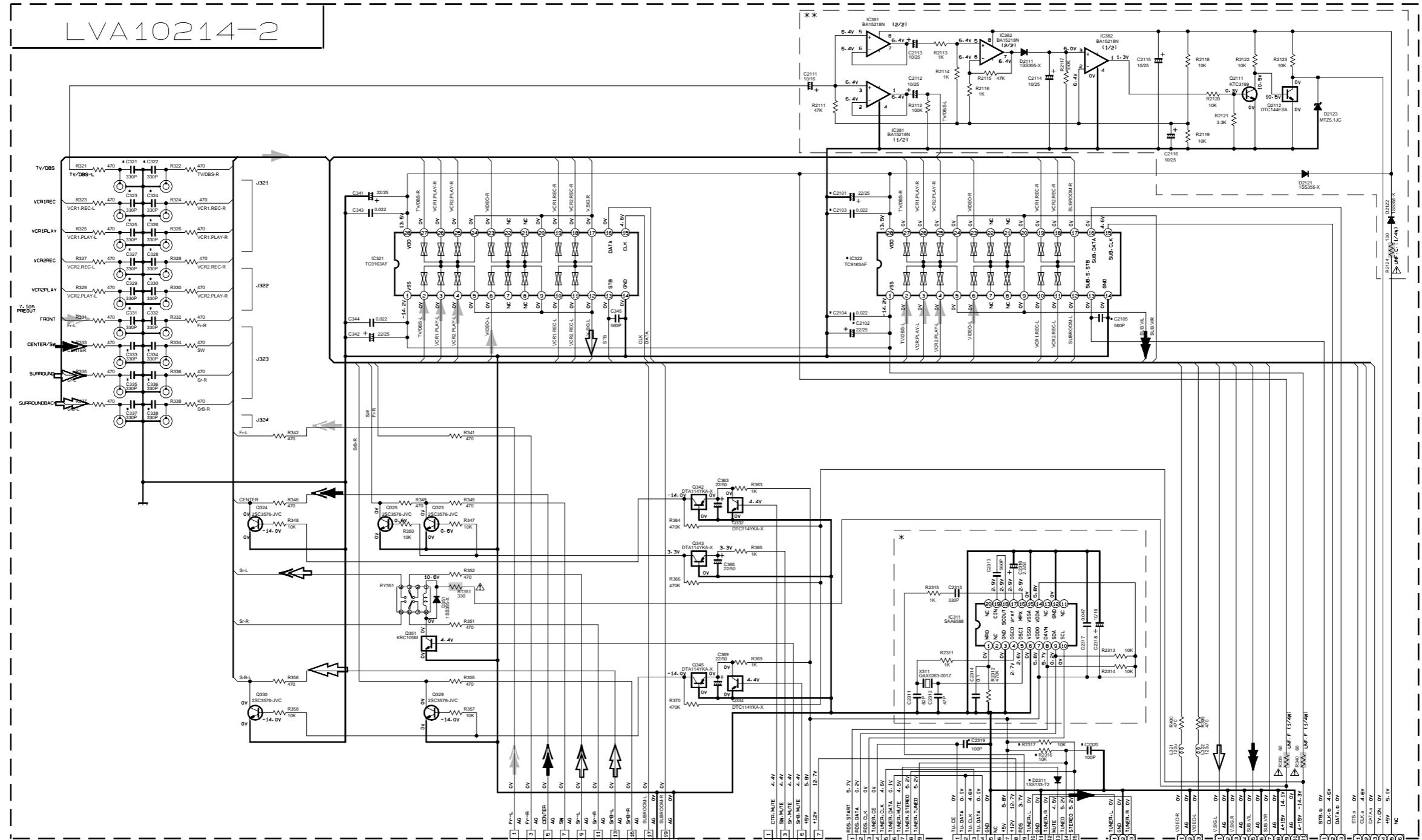
Parts are safety assurance parts. When replacing those parts make sure to use the specified.

*MARKLIST

	DPSVJ-C	DP10VJ-C	DP10RB-E-EN	V7000
C251-C266	NONE	NONE	USED	NONE
CN208	NONE	USED	NONE	NONE
CN218	NONE	USED	NONE	USED

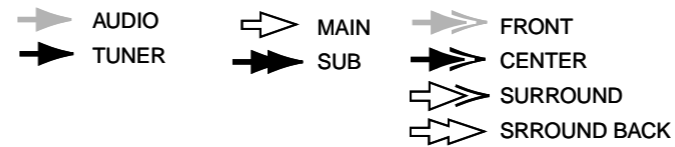
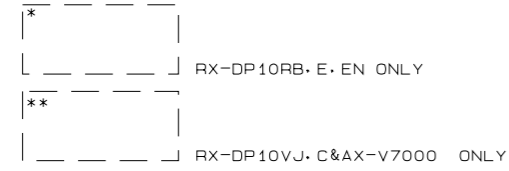
* [] DP10VJ-C ONLY *** [] V7000 ONLY
** [] DP10VJ-C&V7000 ONLY **** [] EXCEPT V7000

Audio signal input 2 section



* MARK LIST

	DP9VJ.C	DP10VJ.C	DP10RB.E. EN	V7000
C321-C338	NONE	NONE	USED	NONE
C2101-C2105	NONE	NONE	USED	USED
IC322	NONE	USED	NONE	USED
WR307, CN323, 324	USED	USED	USED	NONE
WR318	NONE	USED	NONE	USED
C2319, C2320	USED	USED	USED	NONE
R2316, R2317	USED	USED	USED	NONE
D2311	USED	USED	USED	NONE



Parts are safety assurance parts. When replacing those parts make sure to use the specified.

Sheet 1/10

Sheet 1/10

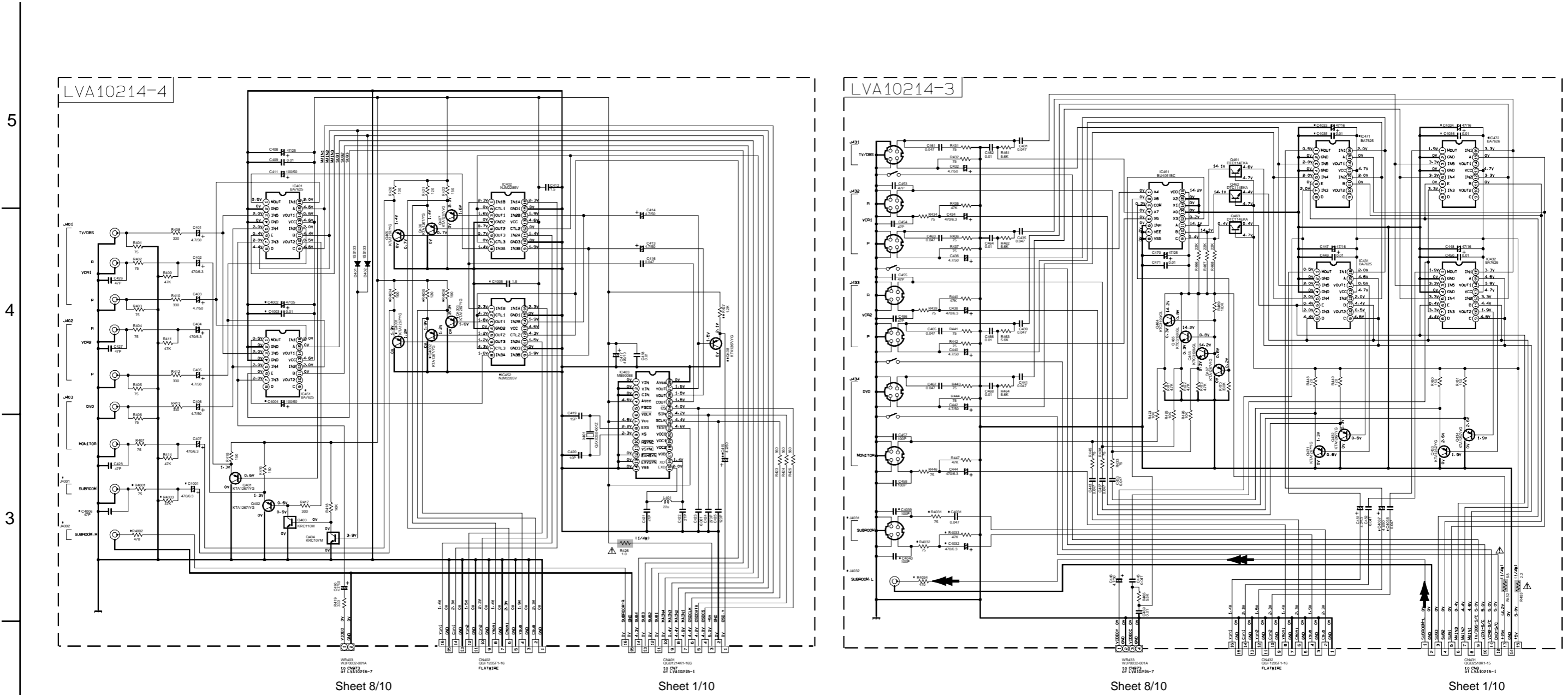
Sheet 8/10

Sheet 4/10

Sheet 8/10

Sheet 4/10

Video signal input 1 section



Sheet 8/10

Sheet 1/10

Sheet 8/10

Sheet 1/10

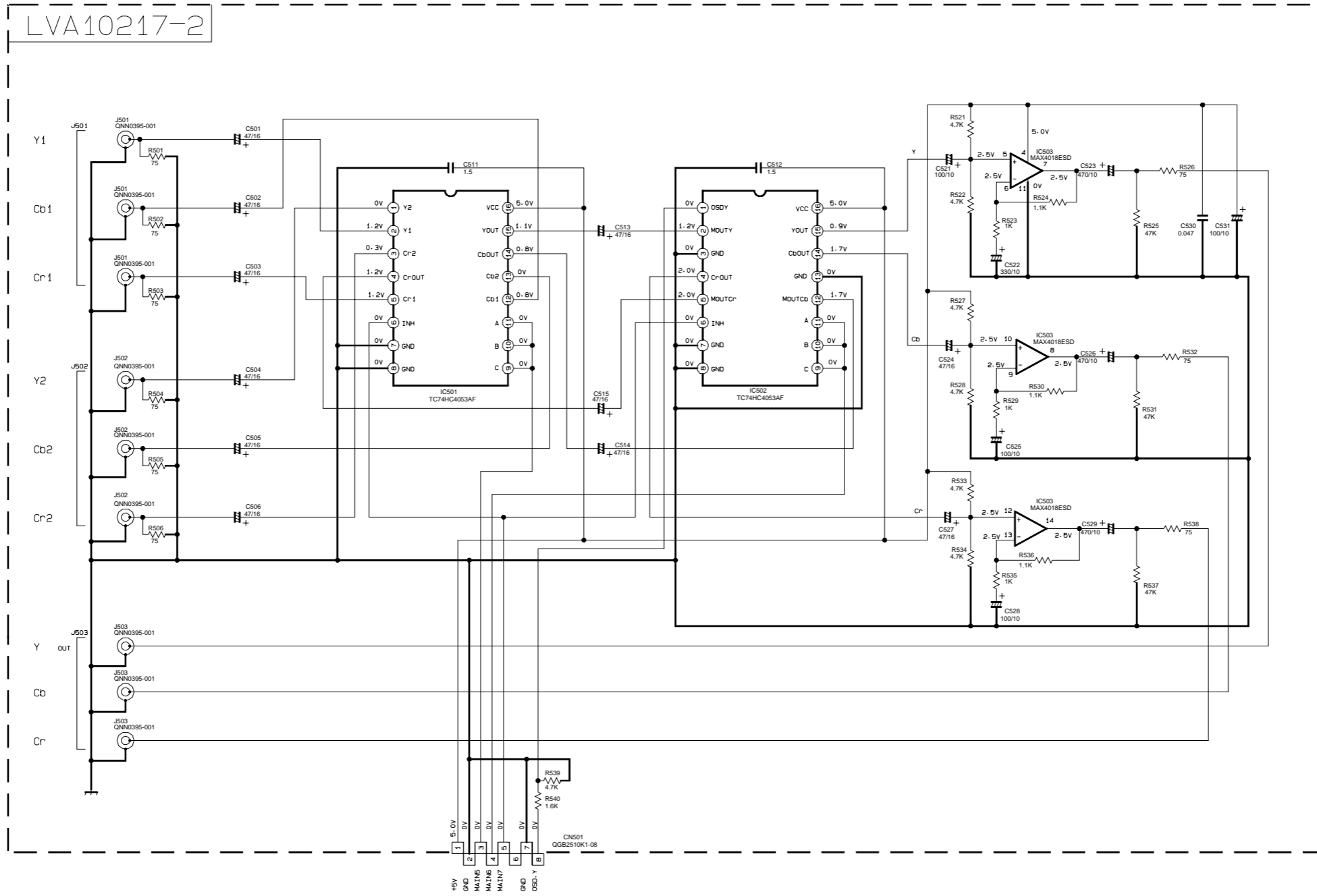
* MARK LIST

	DP9VJ.C	DP10VJ.C	DP10RB.E.EN	V7000
*	NONE	USED	NONE	NONE
**	USED	USED	NONE	USED

➡ SUB

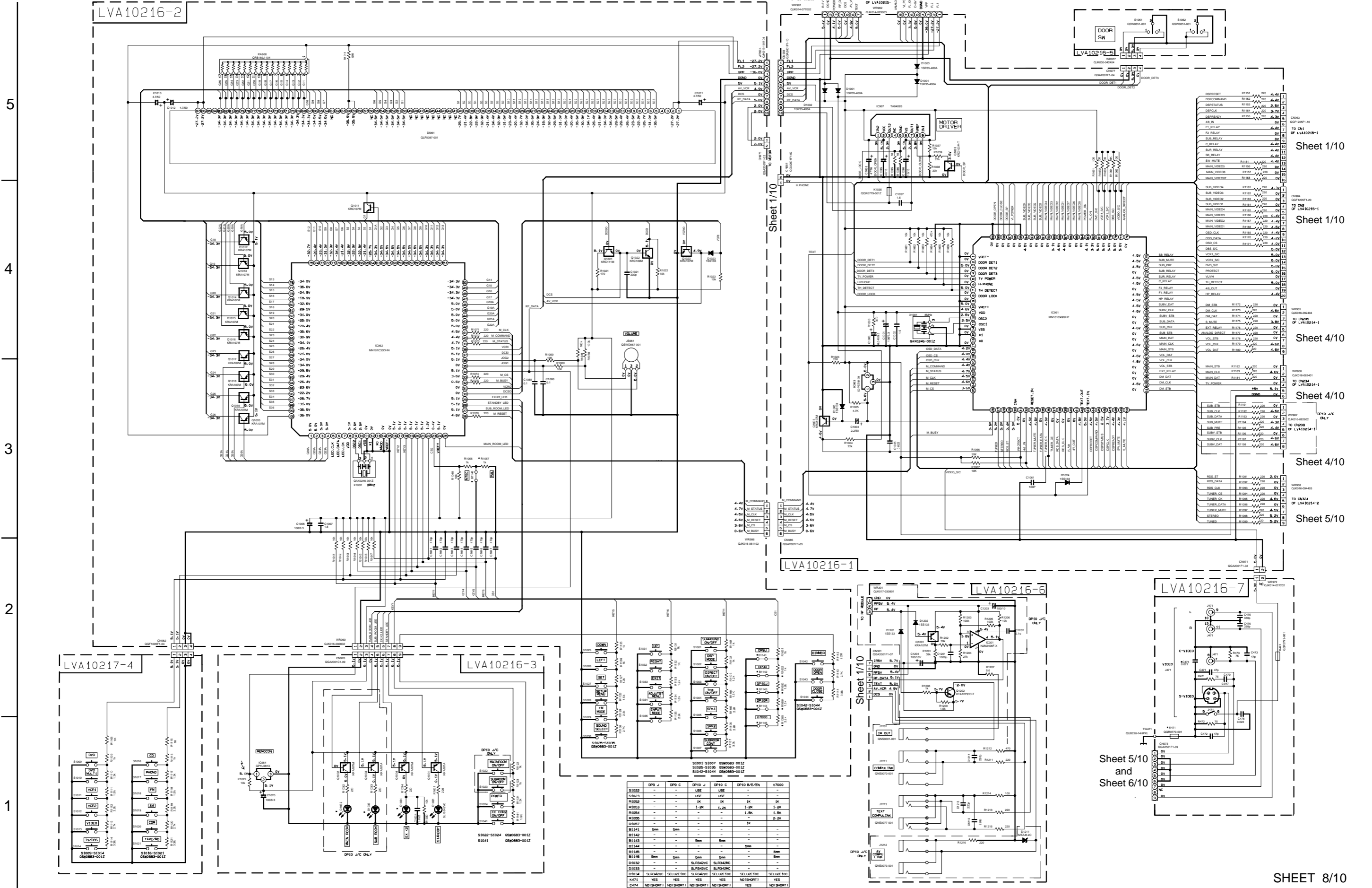
⚠ Parts are safety assurance parts. When replacing those parts make sure to use the specified.

Video signal input 2 section



Sheet 1/10

FL display & system control section



Sheet 1/10 Sheet 1/10

Sheet 1/10

Sheet 1/10

Sheet 1/10

Sheet 1/10

Sheet 1/10

Sheet 1/10

Sheet 1/10

Sheet 1/10

Sheet 1/10

Sheet 1/10

Sheet 1/10

Sheet 4/10

Sheet 4/10

Sheet 4/10

Sheet 5/10

Sheet 5/10 and Sheet 6/10

SHEET 8/10

DP9 J	DP9 C	DP10 J	DP10 C	DP10 B/E/EN	V7000
S1002	-	-	USE	USE	-
S1003	-	-	USE	USE	-
R1002	-	-	1k	1k	1k
R1003	-	-	1.2k	1.2k	1.2k
R1004	-	-	1.2k	1.2k	1.2k
R1005	-	-	1.2k	1.2k	1.2k
R1006	-	-	1.2k	1.2k	1.2k
R1007	-	-	1k	1k	1k
B1141	5mm	5mm	-	-	-
B1142	-	-	-	-	-
B1143	-	-	-	-	-
B1144	-	-	-	-	-
B1145	5mm	5mm	-	-	-
B1146	5mm	5mm	-	-	-
D1032	-	-	SLR342VC	SLR342NC	-
D1033	-	-	SLR342VC	SLR342NC	-
S1034	SLR342VC	SEL10C	SLR342VC	SEL10C	SEL10C
K471	YES	YES	YES	YES	YES
K474	NO(SHORT)	NO(SHORT)	NO(SHORT)	NO(SHORT)	YES

DSP section

5

4

3

2

1

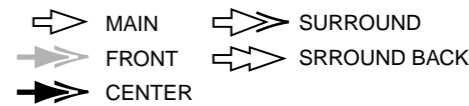
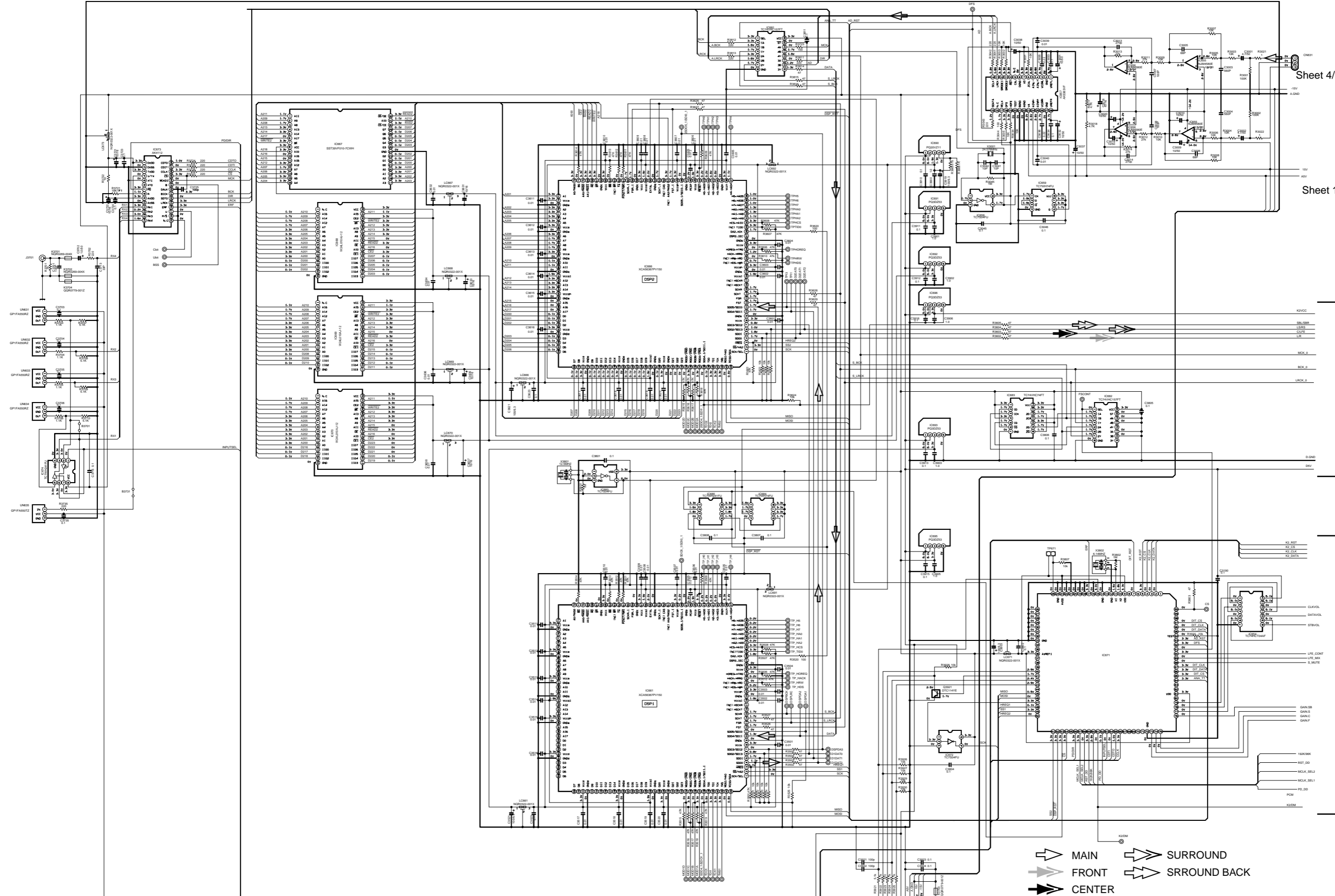
Sheet 4/10

Sheet 10/10

Sheet 10/10

Sheet 10/10

SHEET 9/10



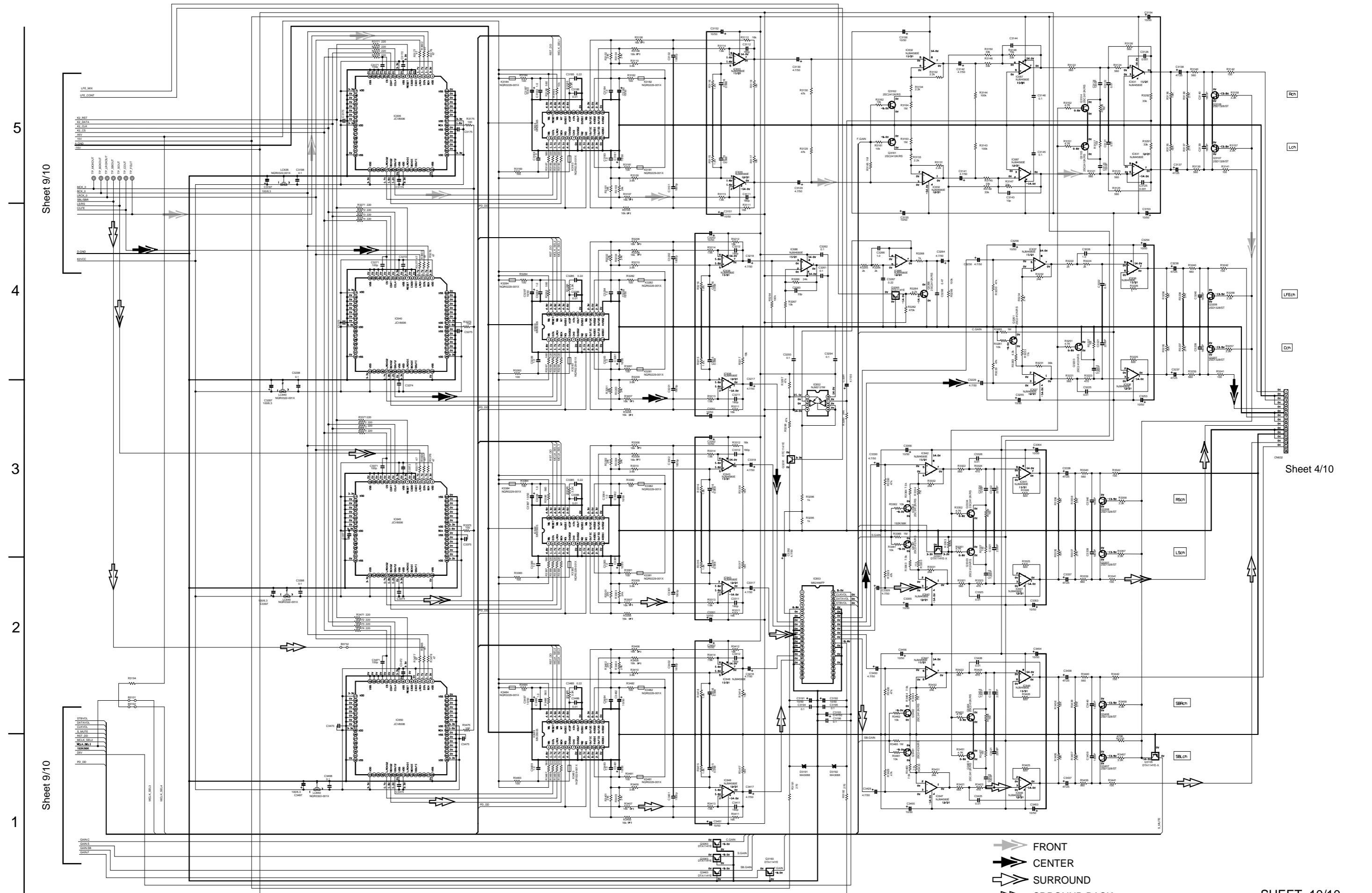
Sheet 1/10

Sheet 9/10

Sheet 9/10

Sheet 4/10

- FRONT
- CENTER
- SURROUND
- SRROUND BACK



Printed circuit boards

■ Amp. board (Reverse side)

5

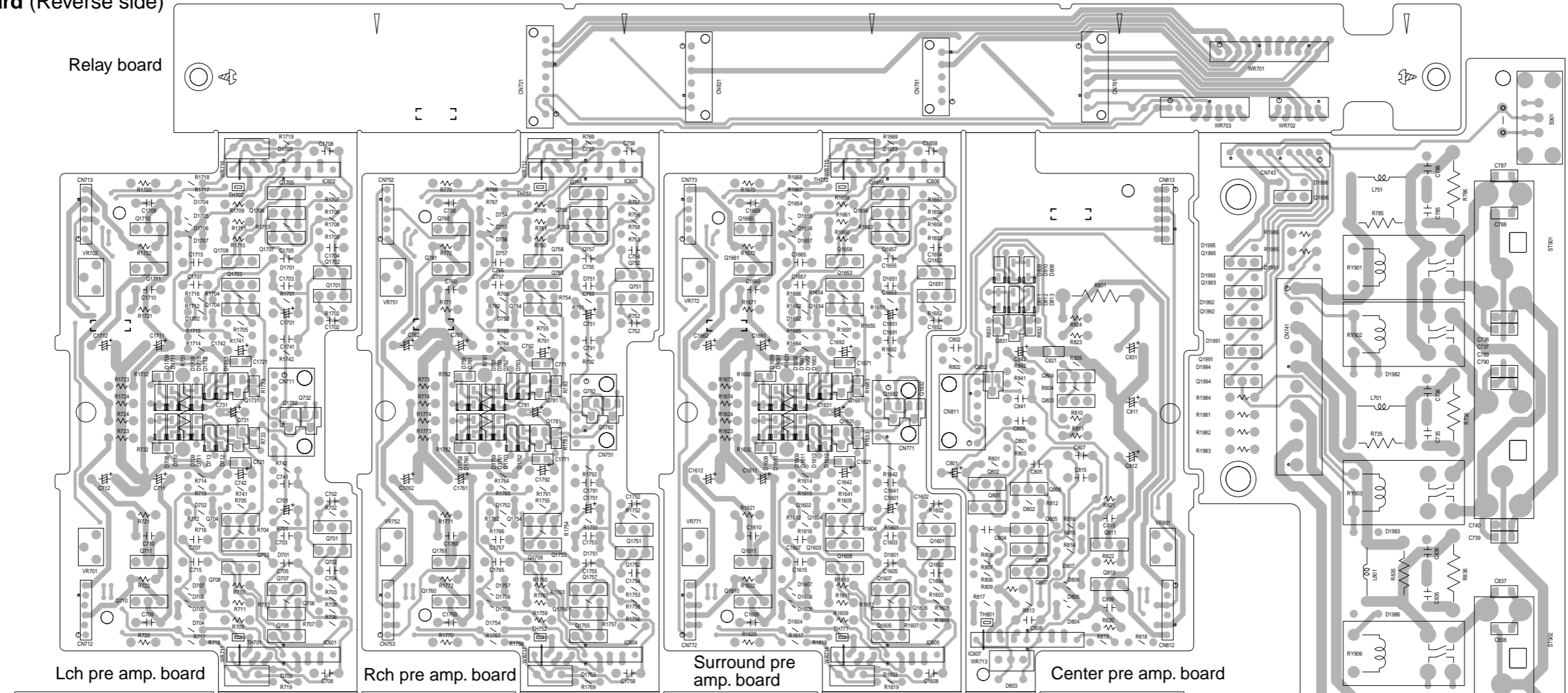
4

3

2

1

Relay board



Speaker board

Lch pre amp. board

Rch pre amp. board

Surround pre amp. board

Center pre amp. board

Power amp. board

A

B

C

2-14

D

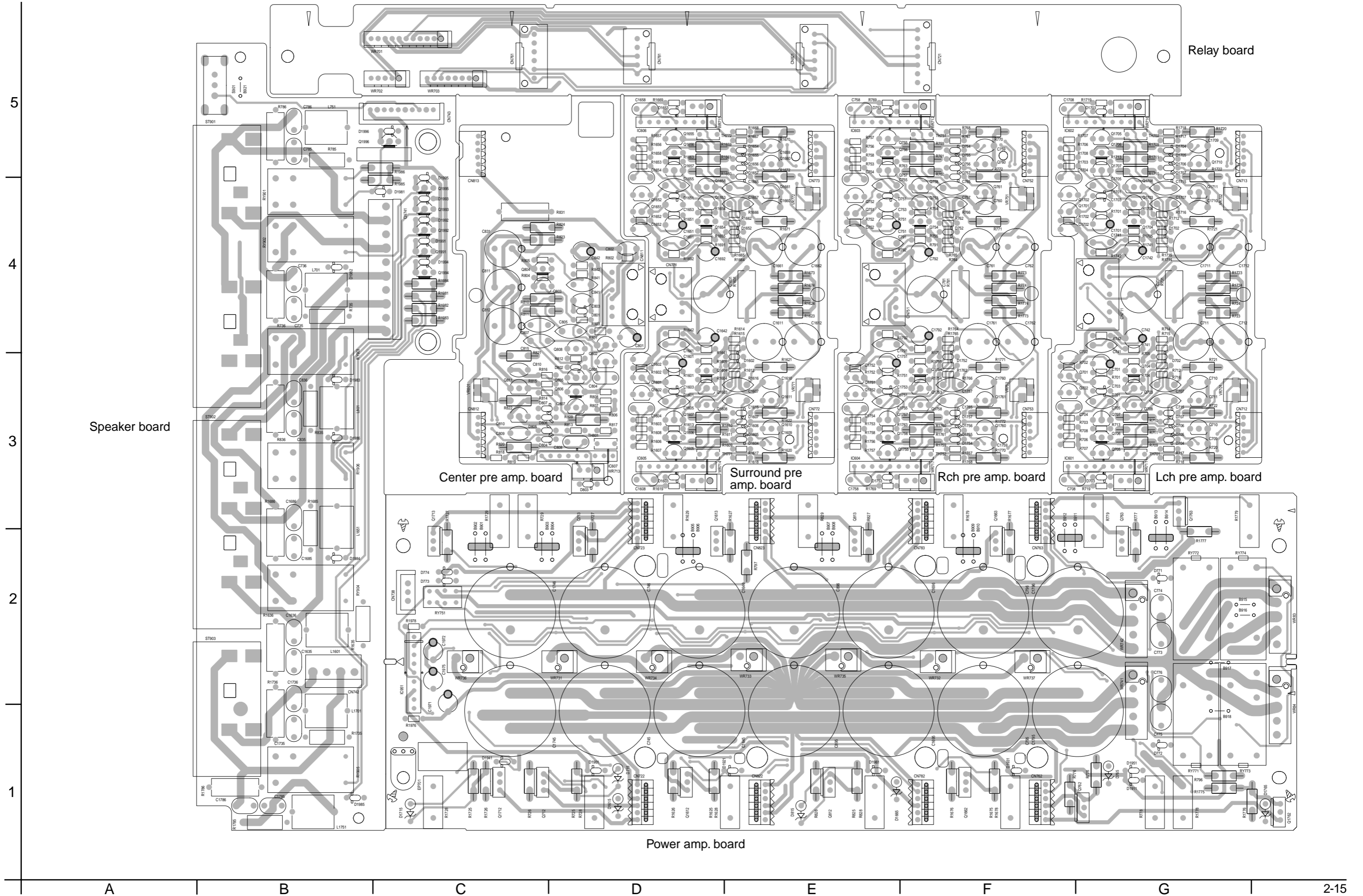
E

F

G

H

■ Amp. board (Forward side)



Audio/ video board (Reverse side)

5

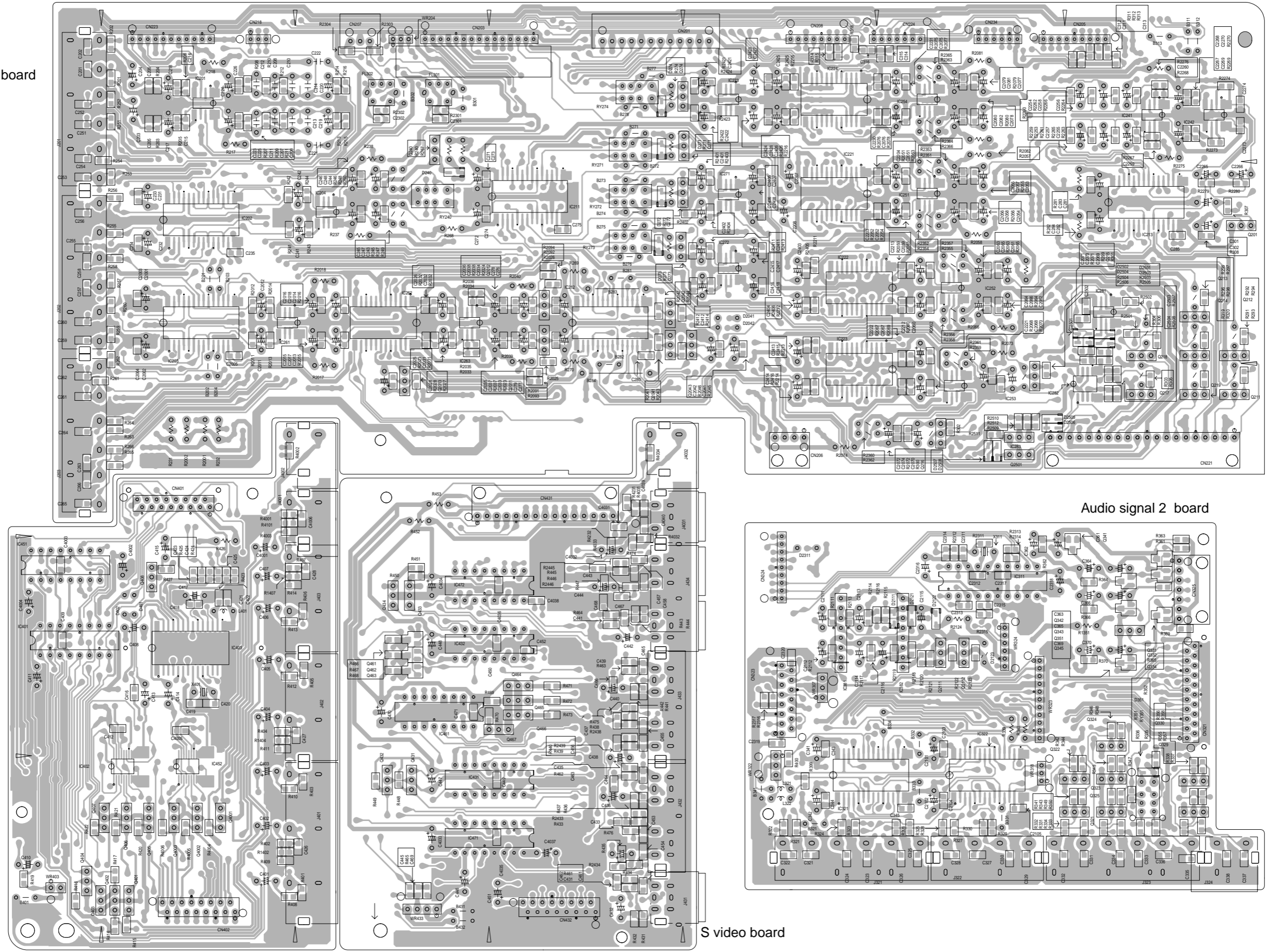
Audio signal 1 board

4

3

2

1



Video board

Audio signal 2 board

S video board

A

B

C

2-16

D

E

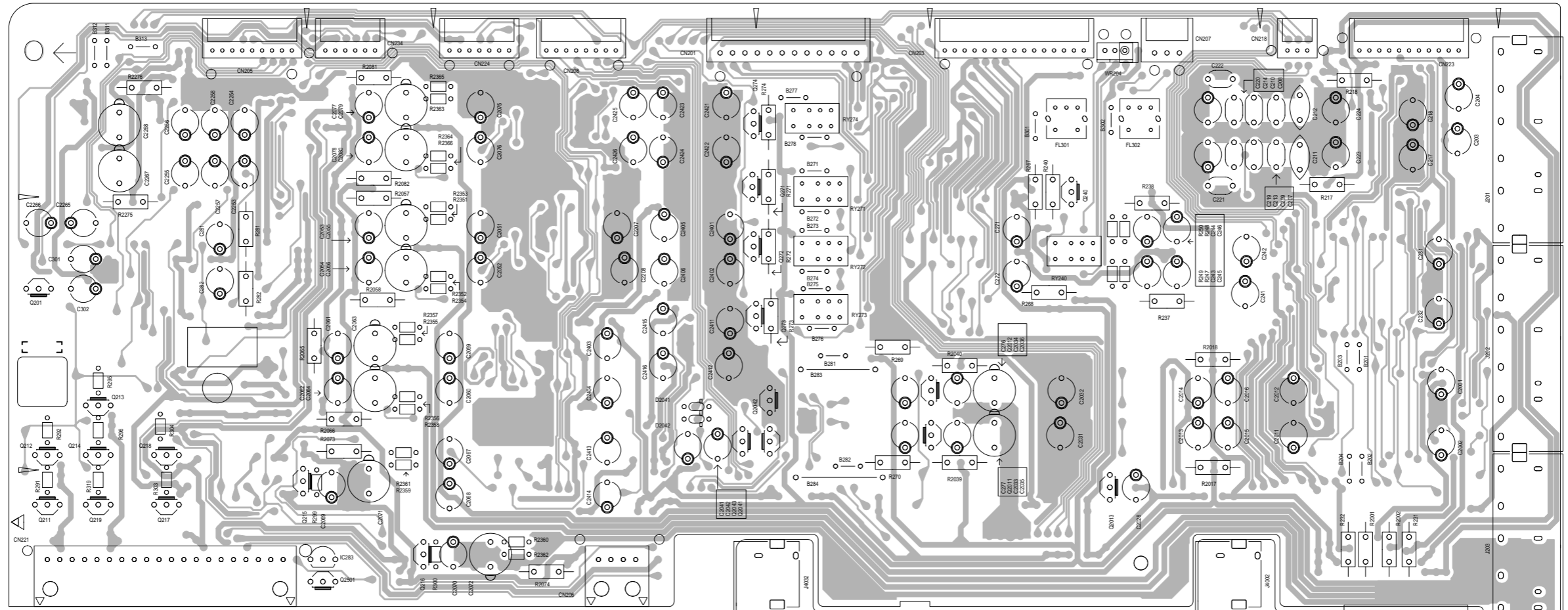
F

G

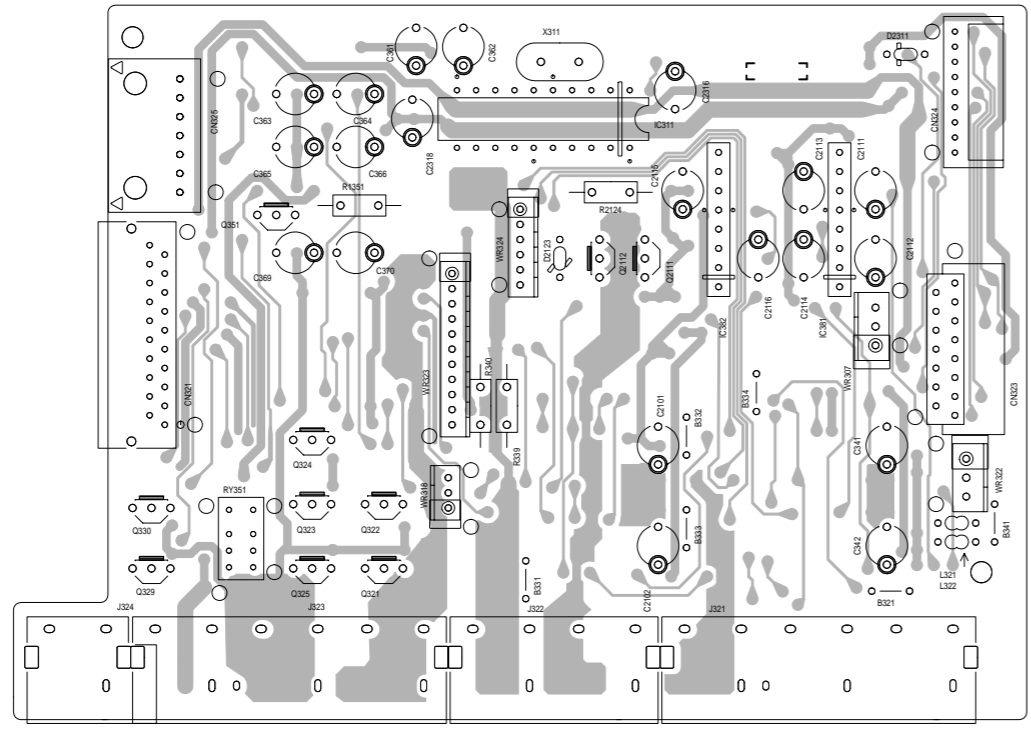
H

Audio/ video board (Forward side)

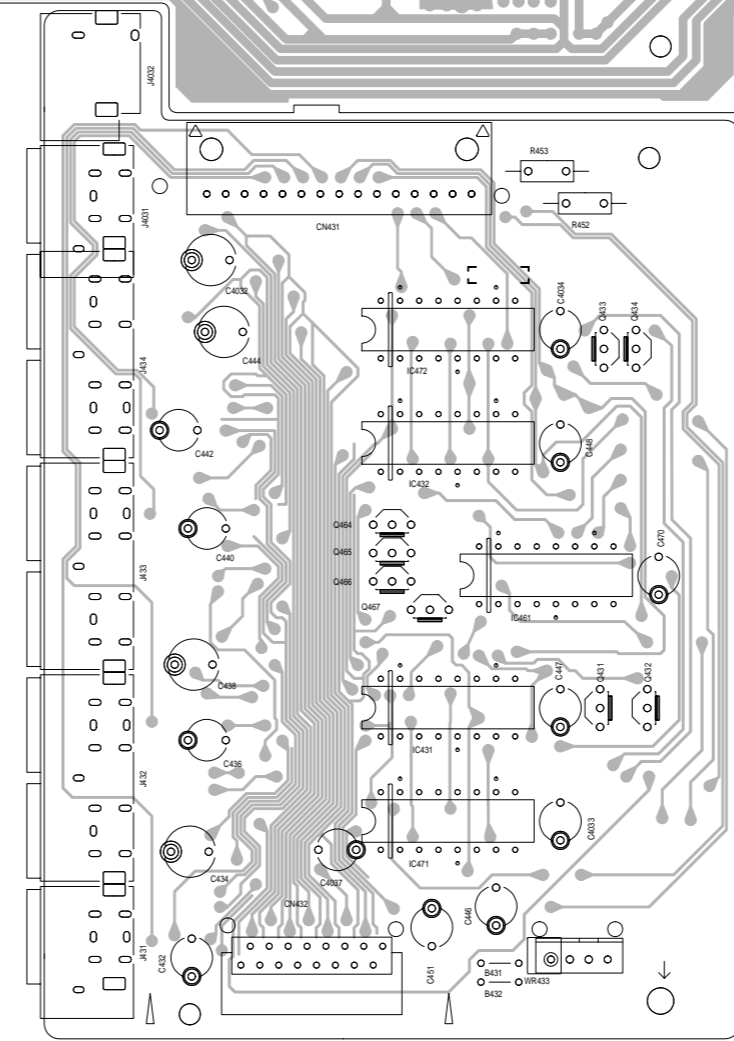
Audio signal 1 board



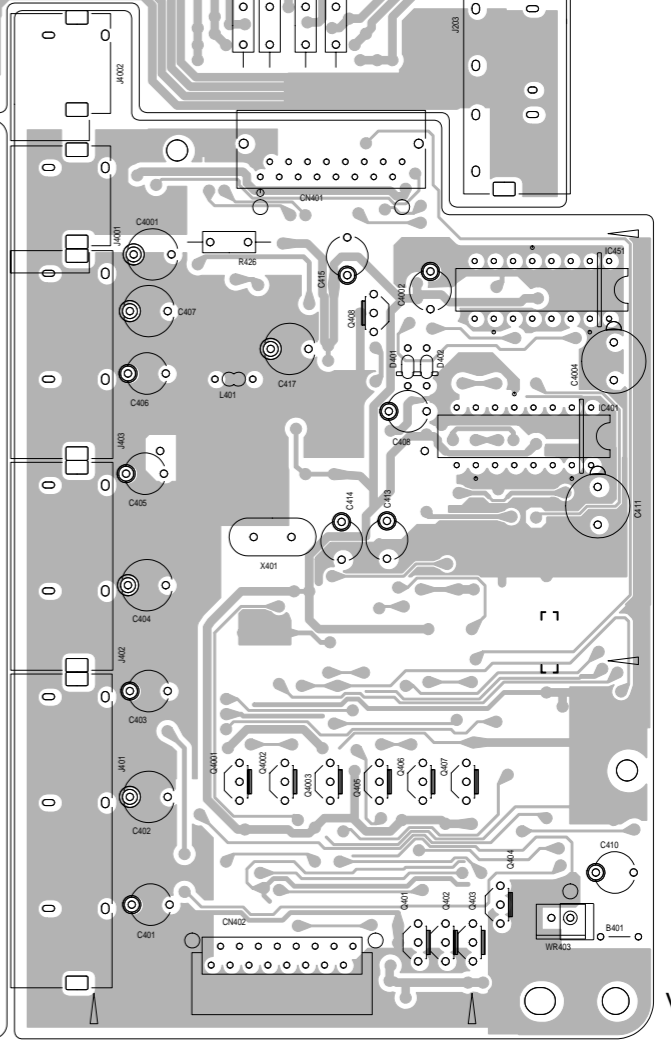
Audio singla 2 board



S video board



Video board



5

4

3

2

1

A

B

C

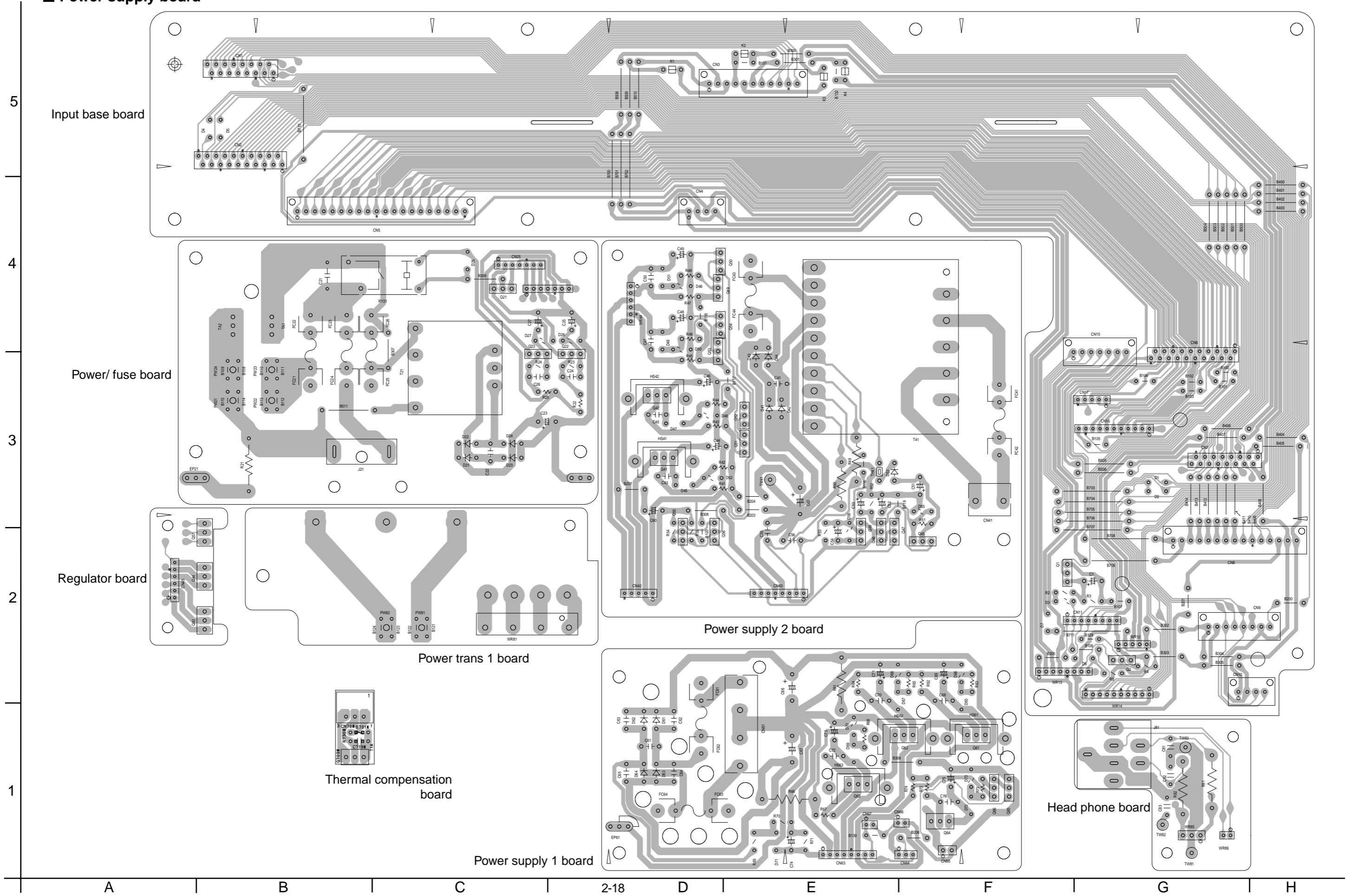
D

E

F

G

■ Power supply board



■ FL display board

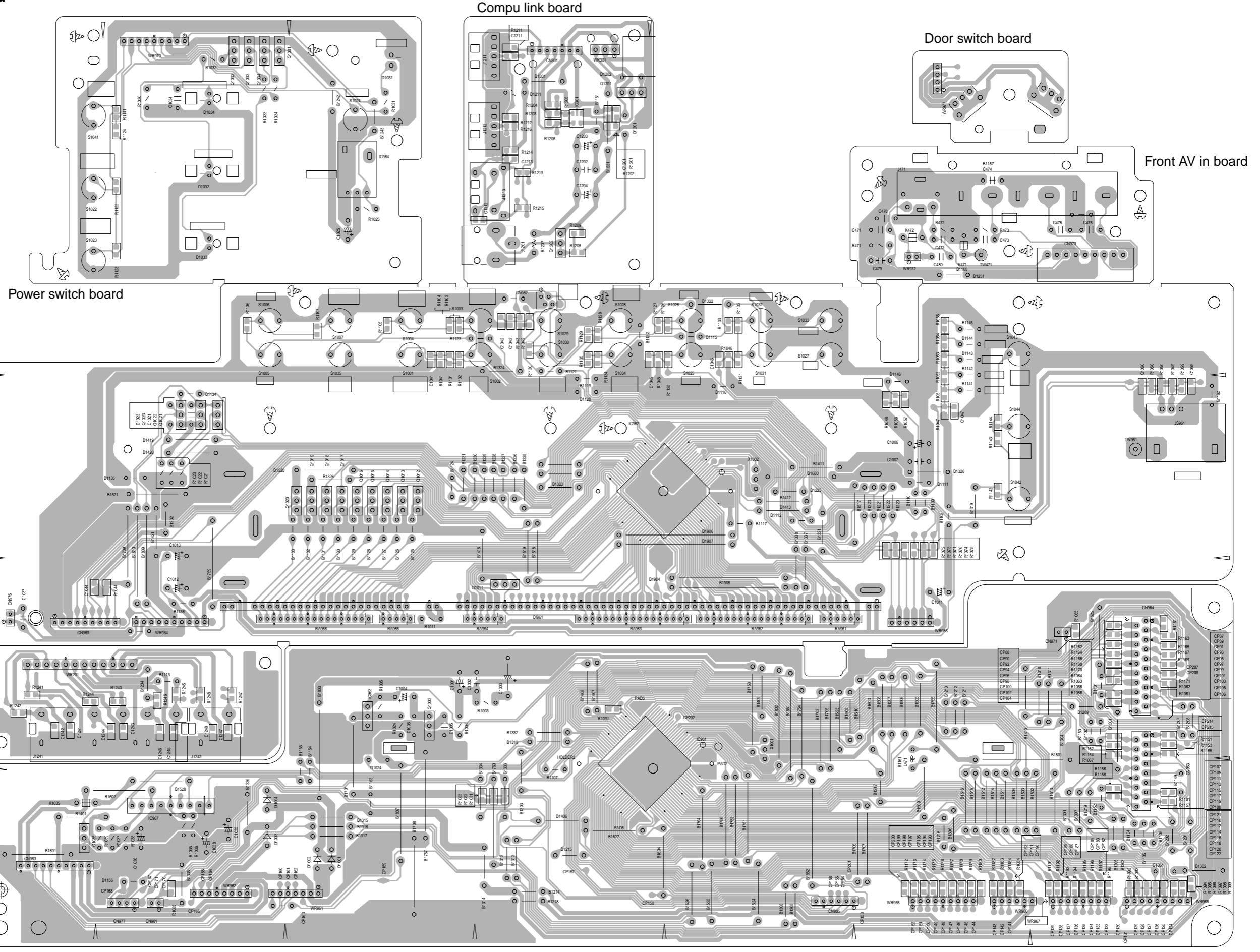
5

4

3

2

1



Power switch board

Compu link board

Door switch board

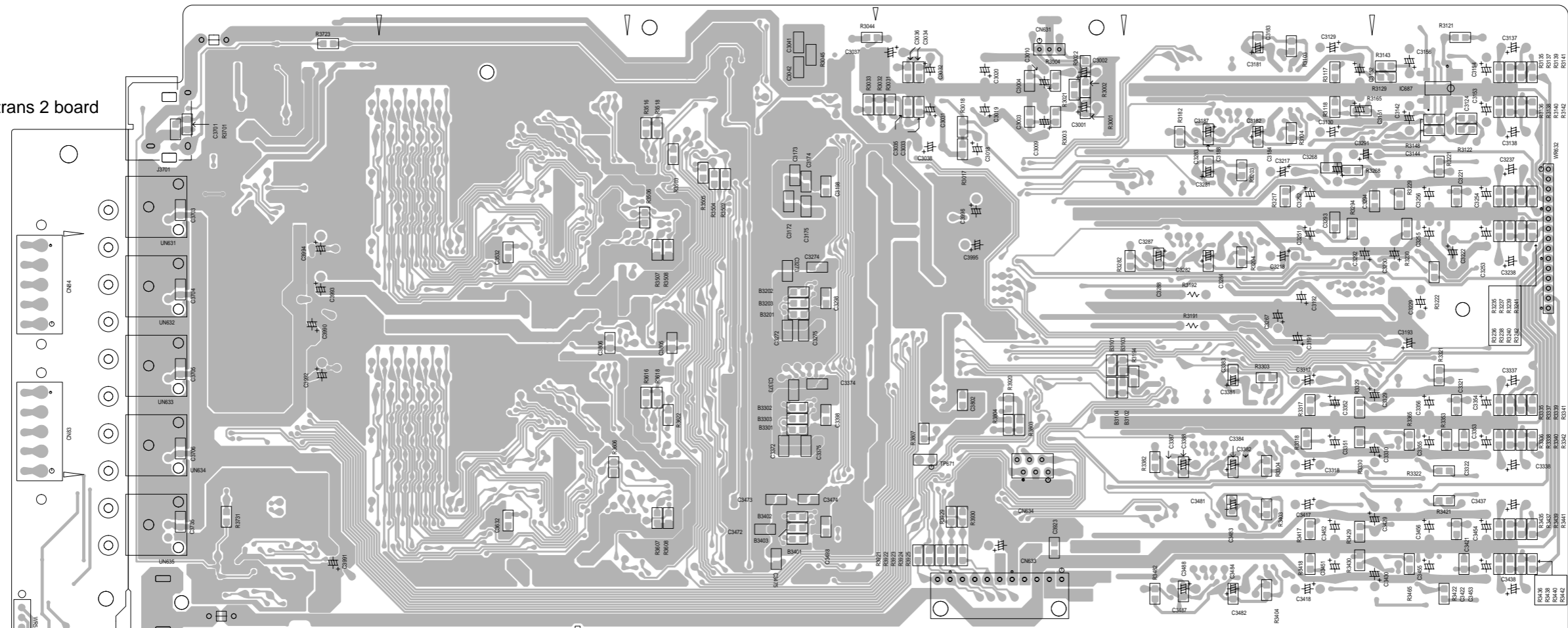
Front AV in board

System control board

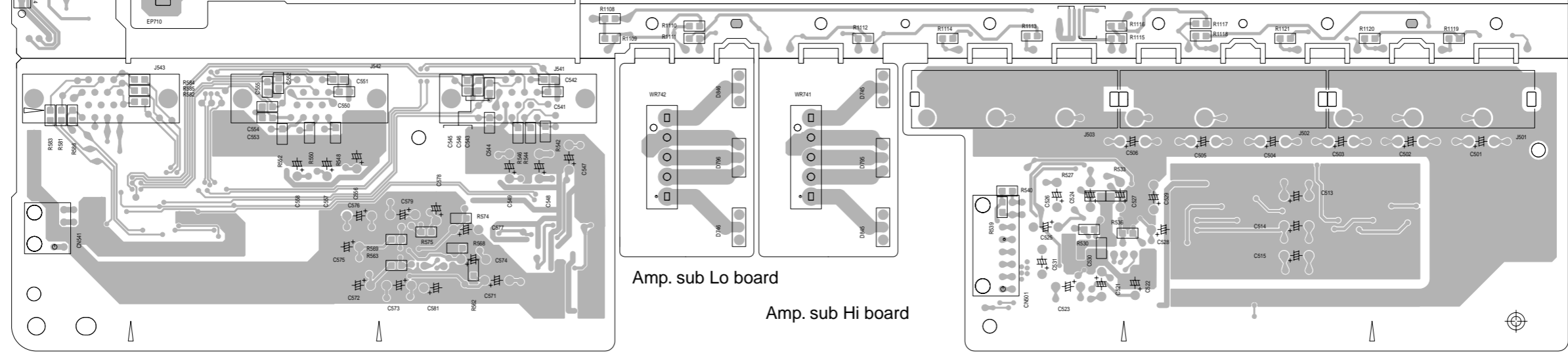
■ DSP board (Reverse side)

5
4
3
2
1

Power trans 2 board

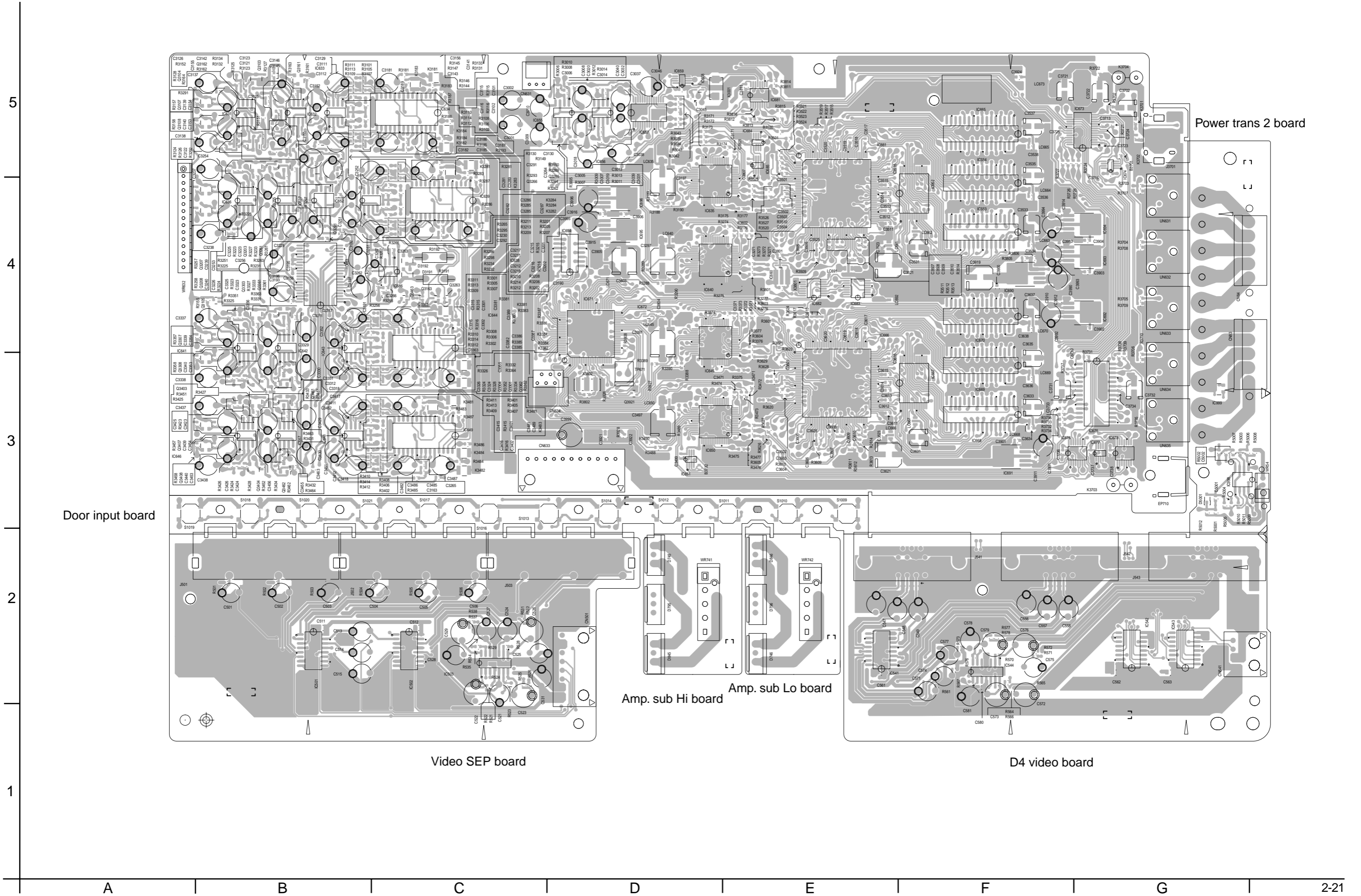


Door input board



A | B | C | 2-20 | D | E | F | G | H

■ DSP board (Forward side)



Power trans 2 board

Door input board

Video SEP board

Amp. sub Hi board

Amp. sub Lo board

D4 video board